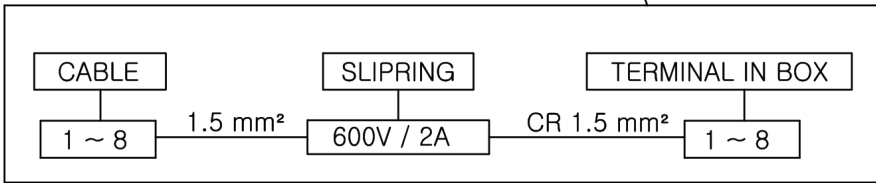
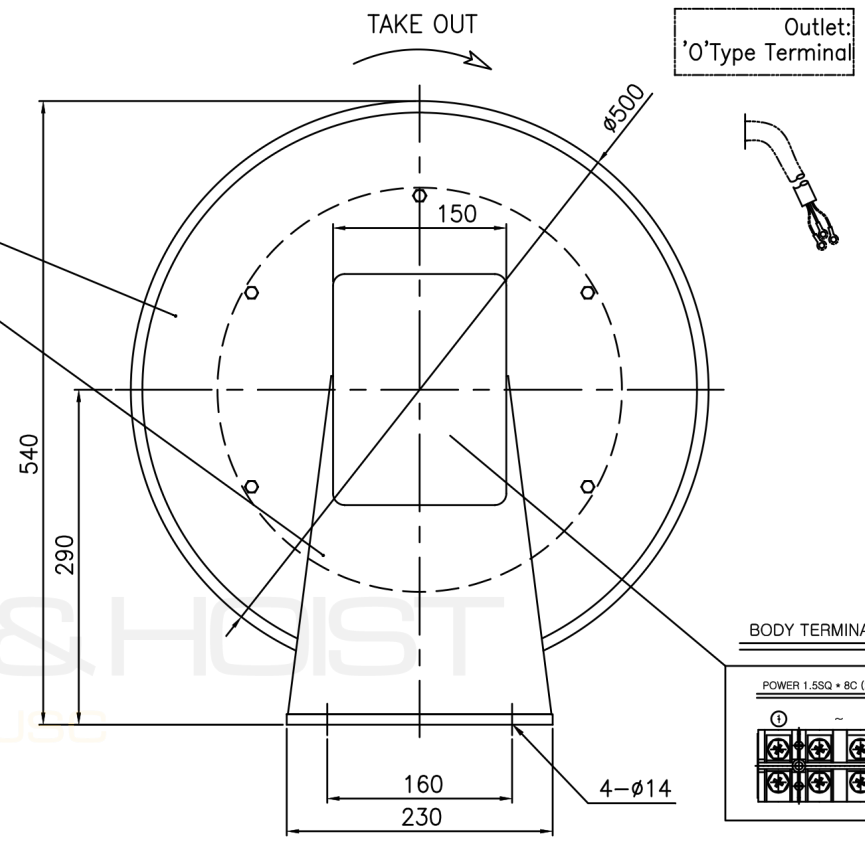
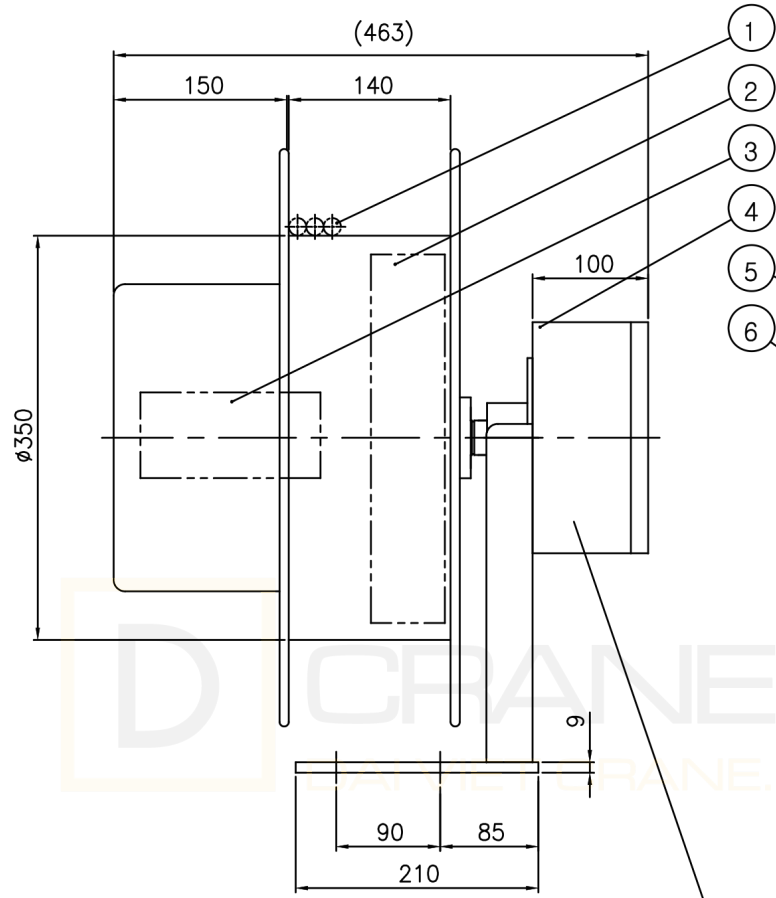
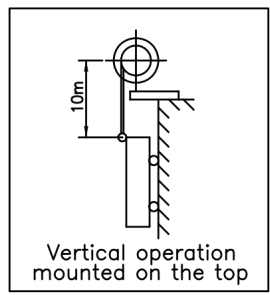
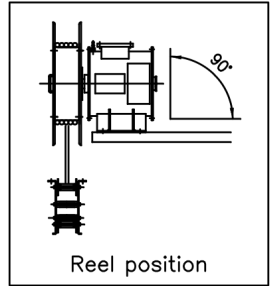
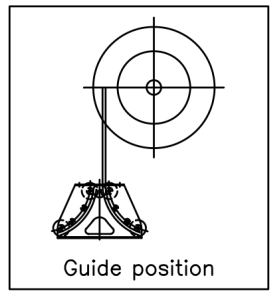


MARK	REVISIONS NO	REASONABLE RVISIONS	DATE	DWN	APVD



SPECIFICATION

- 1. Cable
 - o PNCT 1.5 sq x 8c
 - o Size : approx. 18.1mm
 - o Weight : approx. 0.43 kg/m
 - o Length : 13 M
- 2. Winding Length : 10 M
- 3. Winding Speed : max. 20 M/MIN
- 4. Winding Torque : 3.5 Kg.m

- 5. Slip Ring : 2A x 8P
- 6. Paint Color : MUNSSELL No. 7.5 BG6/1.5 (In Door-60um)
- 7. Setting Height : Max. 10 m from G.L.
- 8. Q' ty : 1 Set

6	FRAME	SPHC	1		
5	DRUM	SPCC	2		
4	TERMINAL BOX	PLASTIC	1		
3	SLIP RING	C3771	8		
2	SPRING	ATX	2	-	
1	CABLE	PNCT	13M		
ITEM	PARTS NO.	PART NAME	MATERIAL	Q'TY	REMARKS

PROJECTION	DIMENSIONS	SCALE	MODEL
3rd ANGLE	METRIC (mm)	1 : 7	ECCV-113-8
CUSTOMER	VNID	PART NAME	-
MODEL COLOR	-	PART NO.	Z830-1000
DRAWING	DESIGN	CHECK	APPROVAL
SIGN	P.S.Y		
DATE	2017.3.10		



A4(210X297)